

THS6182DWEVM

User's Guide

IMPORTANT NOTICE

Texas Instruments Incorporated and its subsidiaries (TI) reserve the right to make corrections, modifications, enhancements, improvements, and other changes to its products and services at any time and to discontinue any product or service without notice. Customers should obtain the latest relevant information before placing orders and should verify that such information is current and complete. All products are sold subject to TI's terms and conditions of sale supplied at the time of order acknowledgment.

TI warrants performance of its hardware products to the specifications applicable at the time of sale in accordance with TI's standard warranty. Testing and other quality control techniques are used to the extent TI deems necessary to support this warranty. Except where mandated by government requirements, testing of all parameters of each product is not necessarily performed.

TI assumes no liability for applications assistance or customer product design. Customers are responsible for their products and applications using TI components. To minimize the risks associated with customer products and applications, customers should provide adequate design and operating safeguards.

TI does not warrant or represent that any license, either express or implied, is granted under any TI patent right, copyright, mask work right, or other TI intellectual property right relating to any combination, machine, or process in which TI products or services are used. Information published by TI regarding third-party products or services does not constitute a license from TI to use such products or services or a warranty or endorsement thereof. Use of such information may require a license from a third party under the patents or other intellectual property of the third party, or a license from TI under the patents or other intellectual property of TI.

Reproduction of information in TI data books or data sheets is permissible only if reproduction is without alteration and is accompanied by all associated warranties, conditions, limitations, and notices. Reproduction of this information with alteration is an unfair and deceptive business practice. TI is not responsible or liable for such altered documentation.

Resale of TI products or services with statements different from or beyond the parameters stated by TI for that product or service voids all express and any implied warranties for the associated TI product or service and is an unfair and deceptive business practice. TI is not responsible or liable for any such statements.

Following are URLs where you can obtain information on other Texas Instruments products & application solutions:

Products		Applications	
Amplifiers	amplifier.ti.com	Audio	www.ti.com/audio
Data Converters	dataconverter.ti.com	Automotive	www.ti.com/automotive
DSP	dsp.ti.com	Broadband	www.ti.com/broadband
Interface	interface.ti.com	Digital Control	www.ti.com/digitalcontrol
Logic	logic.ti.com	Military	www.ti.com/military
Power Mgmt	power.ti.com	Optical Networking	www.ti.com/opticalnetwork
Microcontrollers	microcontroller.ti.com	Security	www.ti.com/security
		Telephony	www.ti.com/telephony
		Video & Imaging	www.ti.com/video
		Wireless	www.ti.com/wireless

Mailing Address: Texas Instruments
Post Office Box 655303 Dallas, Texas 75265

EVM IMPORTANT NOTICE

Texas Instruments (TI) provides the enclosed product(s) under the following conditions:

This evaluation kit being sold by TI is intended for use for **ENGINEERING DEVELOPMENT OR EVALUATION PURPOSES ONLY** and is not considered by TI to be fit for commercial use. As such, the goods being provided may not be complete in terms of required design-, marketing-, and/or manufacturing-related protective considerations, including product safety measures typically found in the end product incorporating the goods. As a prototype, this product does not fall within the scope of the European Union directive on electromagnetic compatibility and therefore may not meet the technical requirements of the directive.

Should this evaluation kit not meet the specifications indicated in the EVM User's Guide, the kit may be returned within 30 days from the date of delivery for a full refund. **THE FOREGOING WARRANTY IS THE EXCLUSIVE WARRANTY MADE BY SELLER TO BUYER AND IS IN LIEU OF ALL OTHER WARRANTIES, EXPRESSED, IMPLIED, OR STATUTORY, INCLUDING ANY WARRANTY OF MERCHANTABILITY OR FITNESS FOR ANY PARTICULAR PURPOSE.**

The user assumes all responsibility and liability for proper and safe handling of the goods. Further, the user indemnifies TI from all claims arising from the handling or use of the goods. Please be aware that the products received may not be regulatory compliant or agency certified (FCC, UL, CE, etc.). Due to the open construction of the product, it is the user's responsibility to take any and all appropriate precautions with regard to electrostatic discharge.

EXCEPT TO THE EXTENT OF THE INDEMNITY SET FORTH ABOVE, NEITHER PARTY SHALL BE LIABLE TO THE OTHER FOR ANY INDIRECT, SPECIAL, INCIDENTAL, OR CONSEQUENTIAL DAMAGES.

TI currently deals with a variety of customers for products, and therefore our arrangement with the user **is not exclusive**.

TI assumes **no liability for applications assistance, customer product design, software performance, or infringement of patents or services described herein**.

Please read the EVM User's Guide and, specifically, the EVM Warnings and Restrictions notice in the EVM User's Guide prior to handling the product. This notice contains important safety information about temperatures and voltages. For further safety concerns, please contact the TI application engineer.

Persons handling the product must have electronics training and observe good laboratory practice standards.

No license is granted under any patent right or other intellectual property right of TI covering or relating to any machine, process, or combination in which such TI products or services might be or are used.

Mailing Address:

Texas Instruments
Post Office Box 655303
Dallas, Texas 75265

EVM WARNINGS AND RESTRICTIONS

It is important to operate this EVM within the input voltage range described in the EVM User's Guide.

Exceeding the specified input range may cause unexpected operation and/or irreversible damage to the EVM. If there are questions concerning the input range, please contact a TI field representative prior to connecting the input power.

Applying loads outside of the specified output range may result in unintended operation and/or possible permanent damage to the EVM. Please consult the EVM User's Guide prior to connecting any load to the EVM output. If there is uncertainty as to the load specification, please contact a TI field representative.

During normal operation, some circuit components may have case temperatures greater than 60°C. The EVM is designed to operate properly with certain components above 60°C as long as the input and output ranges are maintained. These components include but are not limited to linear regulators, switching transistors, pass transistors, and current sense resistors. These types of devices can be identified using the EVM schematic located in the EVM User's Guide. When placing measurement probes near these devices during operation, please be aware that these devices may be very warm to the touch.

Mailing Address:

Texas Instruments
Post Office Box 655303
Dallas, Texas 75265

Copyright © 2003, Texas Instruments Incorporated

Read This First

About This Manual

How to Use This Manual

This document contains the following chapters:

- Chapter 1 – Introduction and Description
- Chapter 2 – Using the THS6182DWEVM
- Chapter 3 – THS6182DWEVM Applications
- Chapter 4 – EVM Hardware Description

Information About Cautions and Warnings

This book may contain cautions and warnings.

This is an example of a caution statement.

A caution statement describes a situation that could potentially damage your software or equipment.

This is an example of a warning statement.

A warning statement describes a situation that could potentially cause harm to you.

The information in a caution or a warning is provided for your protection. Please read each caution and warning carefully.

FCC Warning

This equipment is intended for use in a laboratory test environment only. It generates, uses, and can radiate radio frequency energy and has not been tested for compliance with the limits of computing devices pursuant to subpart J of part 15 of FCC rules, which are designed to provide reasonable protection against radio frequency interference. Operation of this equipment in other environments may cause interference with radio communications, in which case the user at his own expense will be required to take whatever measures may be required to correct this interference.

Electrostatic Sensitive Components



This EVM contains components that can potentially be damaged by electrostatic discharge. Always transport and store the EVM in its supplied ESD bag when not in use. Handle using an antistatic wristband. Operate on an antistatic work surface. For more information on proper handling, refer to SSYA008.

Related Documentation From Texas Instruments

The URL's below are correct as of the date of publication of this manual. Texas Instruments applications apologizes if they change over time.

- THS6182 data sheet (SLLLS544)
- Application report (SLMA002), *PowerPAD Thermally Enhanced Package*, <http://www-s.ti.com/sc/psheets/slma004/slma002.pdf>
- Application report (SLMA004), *PowerPAD Made Easy*, <http://www-s.ti.com/sc/psheets/slma004/slma004.pdf>
- Application report (SSYA008), *Electrostatic Discharge (ESD)*, <http://www-s.ti.com/sc/psheets/ssya008/ssya008.pdf>
- Application report (SLOA100), *Active Output Impedance for ADSL Line Drivers*, <http://www-s.ti.com/sc/psheets/sloa100/sloa100.pdf>

Trademarks

PowerPAD is a trademark of Texas Instruments.

Contents

1	Introduction and Description	1-1
1.1	Evaluation Modue Features	1-2
1.2	THS6182DWEVM Operating Conditions	1-2
1.3	EVM Default Configuration	1-2
2	Using the THS6182DWEVM	2-1
3	THS6182DWEVM Applications	3-1
3.1	Standard Gain Configuration	3-2
3.2	Active Termination	3-3
3.3	Receive Path Implementation	3-6
3.4	High-Pass Filter	3-7
3.5	Single-Ended Gain Stages	3-8
4	EVM Hardware Description	4-1

Figures

1-1	Full Schematic of the Populated Circuit on the THS6182DWEVM (Default Configuration)	1-3
2-1	Interconnection Diagram	2-1
3-1	Default Configuration Operation	3-2
3-2	Differential Positive Feedback	3-3
3-3	Implementation of the Receive Signal Path	3-6
3-4	ADSL Spectrum and High-Pass Filter Response	3-7
3-5	Single-Ended Amplifier Configuration	3-8
4-1	Top Layer 1 (Signals for THS6182DWEVM)	4-2
4-2	Internal Plane (Layer 2) (Ground 1 Plane)	4-3
4-3	Internal Plane (Layer 3) (Power Plane)	4-3
4-4	Bottom (Layer 4) (Ground and Signal)	4-4

Tables

4-1	THS6182DWEVM Bill of Materials	4-1
-----	--------------------------------	-----

Introduction and Description

The Texas Instruments THS6182DW evaluation module (EVM) helps designers evaluate the performance of the THS6182 operational amplifier. Also, this EVM is a good example of high-speed PCB design.

This document details the THS6182DWEVM. It includes a list of EVM features, a brief description of the module illustrated with a series of schematic diagrams, EVM specifications, details on connecting and using the EVM, and a discussion of high-speed amplifier design considerations.

This EVM enables the user to implement various circuits to clarify the available configurations presented by the schematic of the EVM. The user is not limited to the circuit configurations presented. The EVM provides enough hardware hooks that the only limitation should be the creativity of the user.

Topic	Page
1.1 Evaluation Module Features	1-2
1.2 THS6182DWEVM Operating Conditions	1-2
1.3 EVM Default Configuration	1-2

1.1 Evaluation Module Features

The THS6182EVM provides a platform for developing high-speed operational amplifier application circuits. It contains the THS6182 high-speed dual operational amplifier, a number of passive components, and various features and footprints that enable the user to experiment with, test, and verify various operational amplifier circuit implementations. The PC board measures 4.0 by 2.8 inches. THS6182 high-speed operational amplifier EVM features include:

- Active termination capability (R3 and R12)
- Snubber circuit (R1 and C1), for use with active termination
- Hooks for a receive path signal (TP1 through TP4)
- Noninverting gain configuration for DSL
- High-pass filter (HPF) function for ADSL (C2 and R23)
- Short-loop length for the power supply differential high-frequency path (C9)

1.2 THS6182DWEVM Operating Conditions

Supply voltage range, $\pm V_{CC}$ ± 5 to ± 15 Vdc (see the device data sheet)

Supply current, I_{CC} (see the device data sheet)

For complete THS6182 amplifier IC specifications, parameter measurement information, and additional application information, see the THS6182 data sheet (SLLS544).

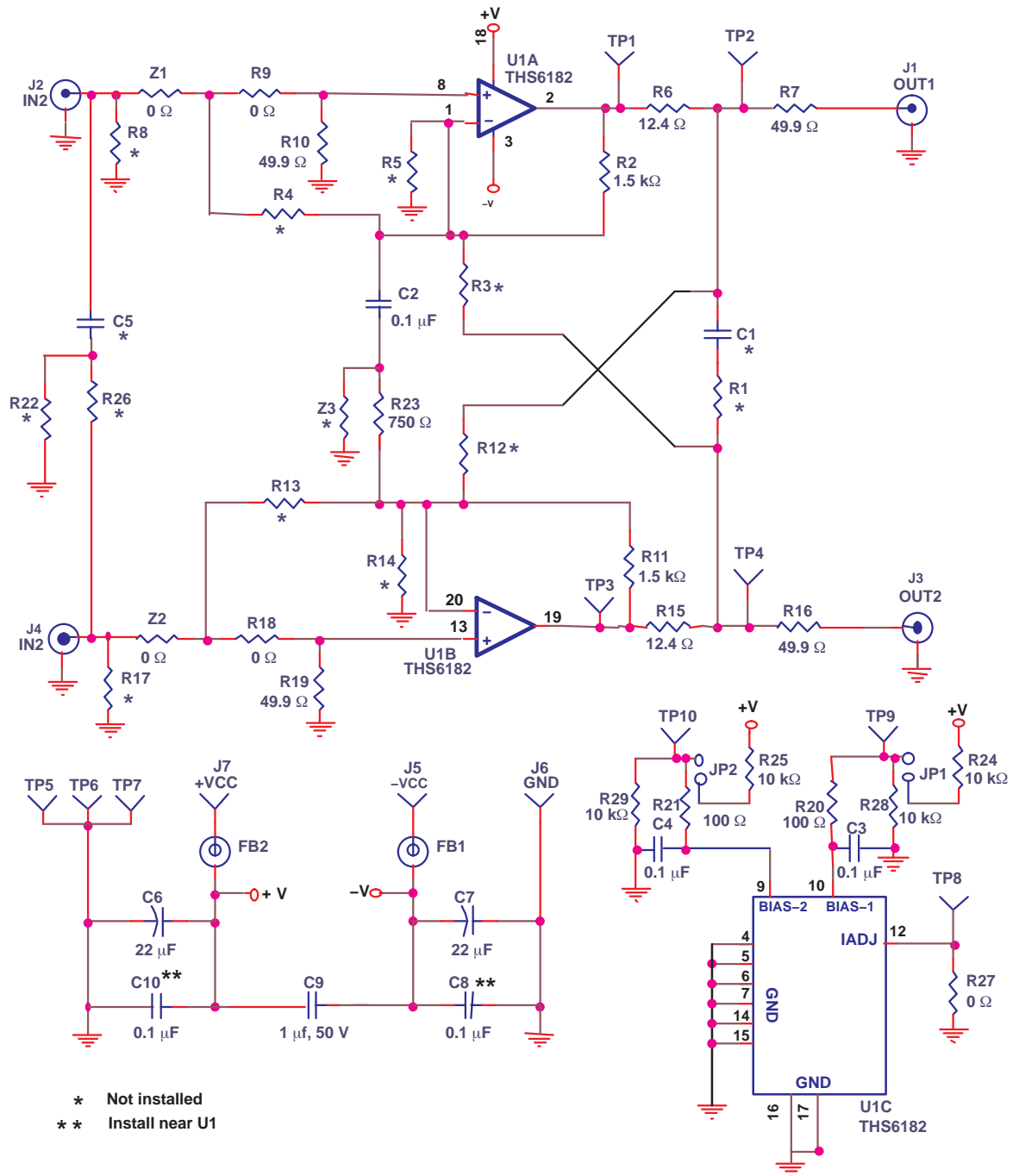
1.3 EVM Default Configuration

As delivered, the EVM has a fully functional example circuit, requiring added power supplies, a signal source, and monitoring instrument. See Figure 1–1 for the complete EVM schematic.

The default configuration has a differential gain of 2.22, as determined by R2, R23, and R11 in combination with series matching resistors R6, R7, R15, and R16, and a 50- Ω load on the outputs at J1 and J3.

Some components such as R20, R21, R24–R29, C3–C11, FB1, FB2, JP1, JP2, J5–J7, and TP8–TP10, etc., are omitted on the application schematics of Chapter 3 for clarity.

Figure 1–1. Full Schematic of the Populated Circuit on the THS6182DWEVM (Default Configuration)





Using the THS6182DWEVM

This section describes how to connect the THS6182DWEVM to test equipment. It is recommended that the user connect the EVM as described in this section to avoid damage to the EVM or the THS6182 installed on the board.

Figure 2–1. Interconnection Diagram

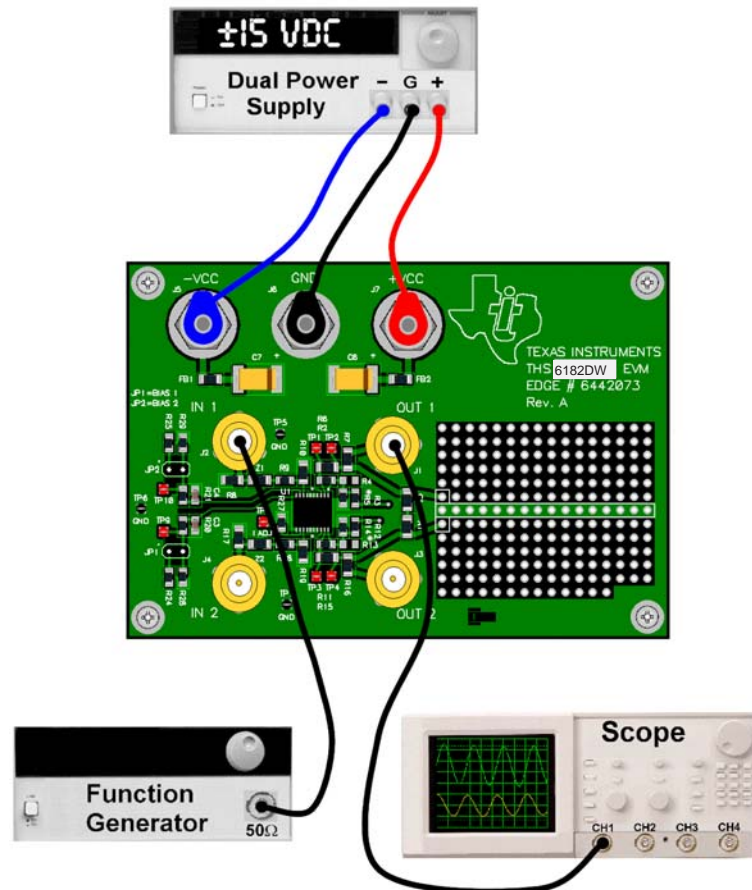


Figure 2–1 shows the connections to measure the output signal of output 1 while a single-ended signal is inserted into EVM channel 1's noninverting input. If the oscilloscope input is connected to J3 and the signal source is connected to J2, EVM channel 2 is also configured for a noninverting signal path. When the oscilloscope's input impedance is 50 Ω , the voltage gain from J2 to J3 is 1.33 V.

Once power is available at the power terminals of the EVM, removing either JP1 and/or JP2 causes bias current to flow at the desired amount. With both JP1 and JP2 installed, the circuit is disabled.

If a balanced (differential) signal is inserted into J2 and J4, a balanced signal is present at J1 and J3.

THS6182DWEVM Applications

Example applications are presented in this chapter. These applications demonstrate the most popular circuits, but many other circuits can be constructed. The user is encouraged to experiment with different circuits, exploring new and creative design techniques.

Topic	Page
3.1 Standard Gain Configuration	3-2
3.2 Active Termination	3-3
3.3 Receive Path Implementation	3-6
3.4 High-Pass Filter	3-7
3.5 Single-Ended Gain Stages	3-8

3.1 Standard Gain Configuration

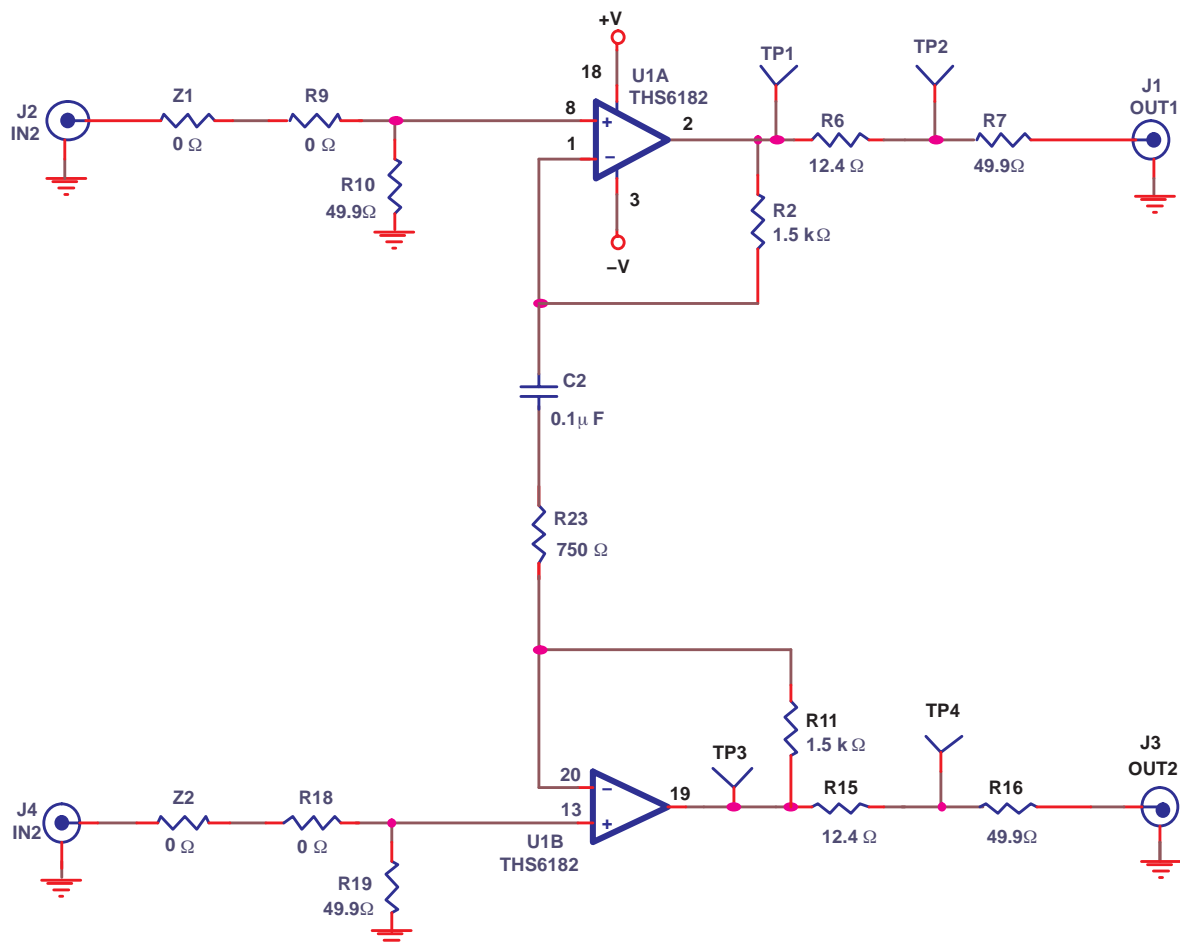
The THS6182DWEVM default configuration is a fully differential input, fully differential output gain of about 2.2 (at the output connectors using an instrument with 50-Ω load on each input). A simplified schematic is shown in Figure 3–1. This gain is calculated according to an equation that is similar to the one that describes an instrumentation amplifier:

$$\text{Differential gain} = \frac{V_{O(\text{diff})}}{V_{I(\text{diff})}} = 1 + \frac{2 \times R2}{R23} \quad (1)$$

where
 $R2 = R11$

Series resistors R6, R7, R15 and R16 affect output voltage at J1 and J3. The designer needs to take the voltage divider law into account for their load impedance and R6, R7, R15 and R16. When a designer monitors the output at TP1 and TP3 using a high-impedance differential probe, the default gain is 5 V.

Figure 3–1. Default Configuration Operation



3.2 Active Termination

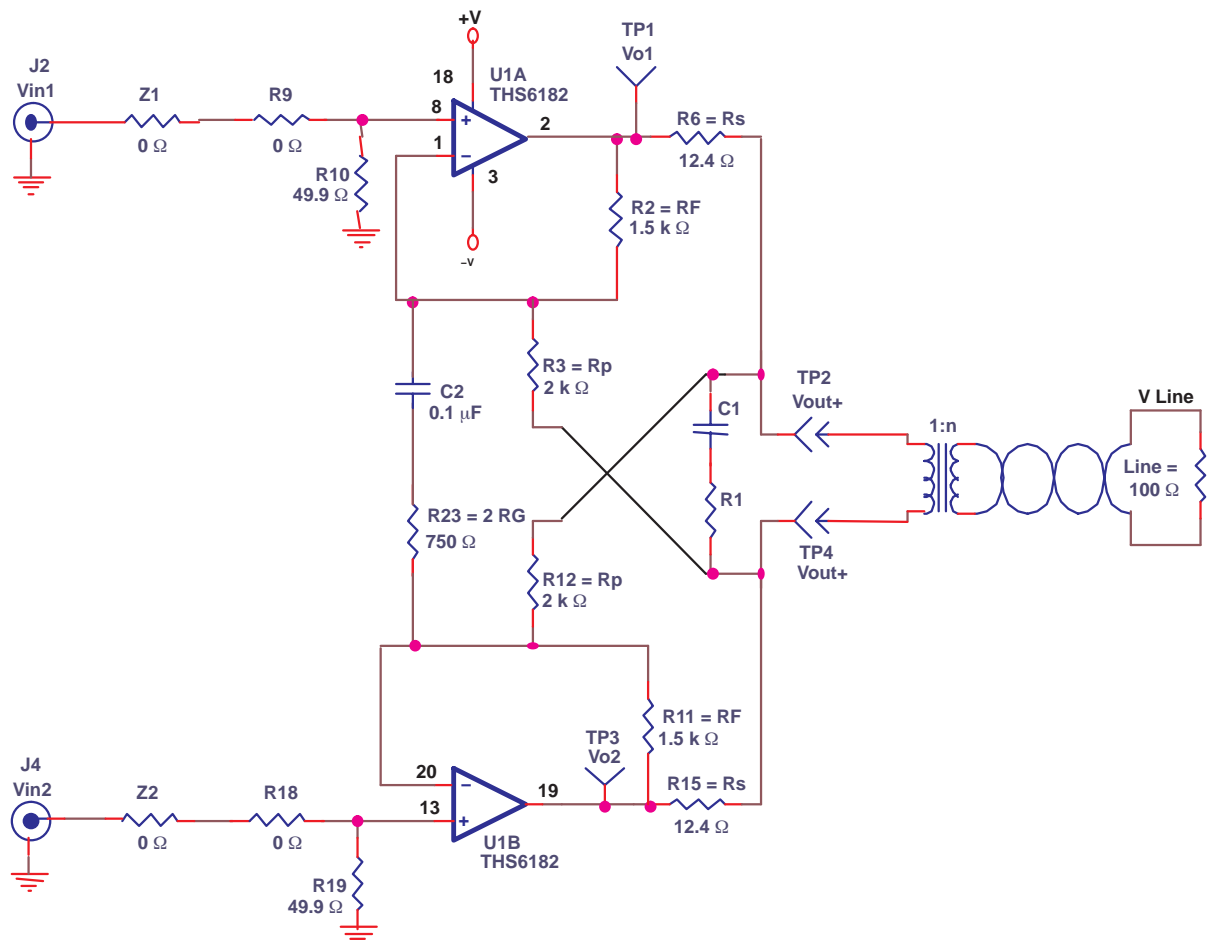
Although this application is specifically for use as an ADSL line driver, the principals shown can be applied to other applications.

Active termination is a technique that allows the designer to use a small value resistor for the series resistance ($R6$ and, or $R15$). The circuit then utilizes positive feedback to make the impedance of this resistor appear much larger, when looking from the line-side. This accomplishes two things:

- ❑ A very small resistance exists between the amplifier and the transformer. This lowers the output voltage swing range required from the driver stage.
- ❑ Proper matching impedance appears when looking from the line to the amplifier.

Figure 3–2 shows the basic circuit for differential positive feedback.

Figure 3–2. Differential Positive Feedback



Active feedback creates larger impedance (Z) than what is actually placed there by series resistors R_S :

$$Z(\Omega) = \frac{R_S}{1 - \frac{R_F}{R_P}} \quad (2)$$

The important thing to consider is that regardless of the forward gain from V_{in} to V_o , the active impedance (Z) value remains constant.

Solving equation 2 for R_P , the following equation is produced:

$$R_P = \frac{R_F}{1 - \frac{R_S}{Z}} \quad (3)$$

Using $Z = 50 \Omega$ and values from Figure 3–2 in equation 3, yields 1995Ω for R_P . The closest E96(1%) value to 1995Ω is $2 \text{ k}\Omega$, as shown in Figure 3–2.

Now that the return impedance is corrected, forward voltage gain from input to output is calculated. Equation 3 shows the simplified forward gain from V_{in} to V_o .

$$A_V = \frac{V_{O \pm}}{V_{in \pm}} = \frac{1 + \left(\frac{R_F}{R_G \parallel R_P} \right)}{1 - \left(\frac{R_F}{R_P} \right) \left(\frac{R_L}{R_L + R_S} \right)} \quad \text{if } R_L \ll R_P \quad (4)$$

where

$$R_L = \frac{R_{LINE}}{2n^2} \quad (5)$$

With a transformer ratio (n) of 1 and a R_{LINE} of 100Ω , R_L is 50Ω .

When the value R_L and the values in Figure 3–2 are used in equation 4, the resulting voltage gain is 14.5. Because R_G does not affect the value of the apparent output impedance of the circuit, voltage gain can be adjusted by changing R_G .

The reader is cautioned that active termination is a very complex topic, with many considerations. Please carefully read the Texas Instruments Application Report *Active Output Impedance for ADSL Line Drivers*, (SLOA100) to gain a more complete understanding of the topic and all the subtle implications of active termination.

$R1$ and $C1$ are located on the EVM so that a snubber circuit may be implemented. Some transformers have a high resonant frequency (as low as 25 MHz but as high as 150 MHz). When using traditional termination (just $R6$, and $R15$ —no active termination), there is typically not a reason to use these components. But, when active termination is used, the effective impedance of these two resistor values drops substantially. Thus, there can be very small

resistor isolation between the amplifier and the transformer, causing a resonance problem. Couple this with the feedback path of R3 and R12, and this can cause the amplifier to oscillate. The snubber is utilized to eliminate this oscillation. As a rule of thumb, to select the proper snubber values, select:

$$R_{19} = 2 \times \frac{R_{\text{LINE}}}{n^2} \quad (6)$$

Then select C5:

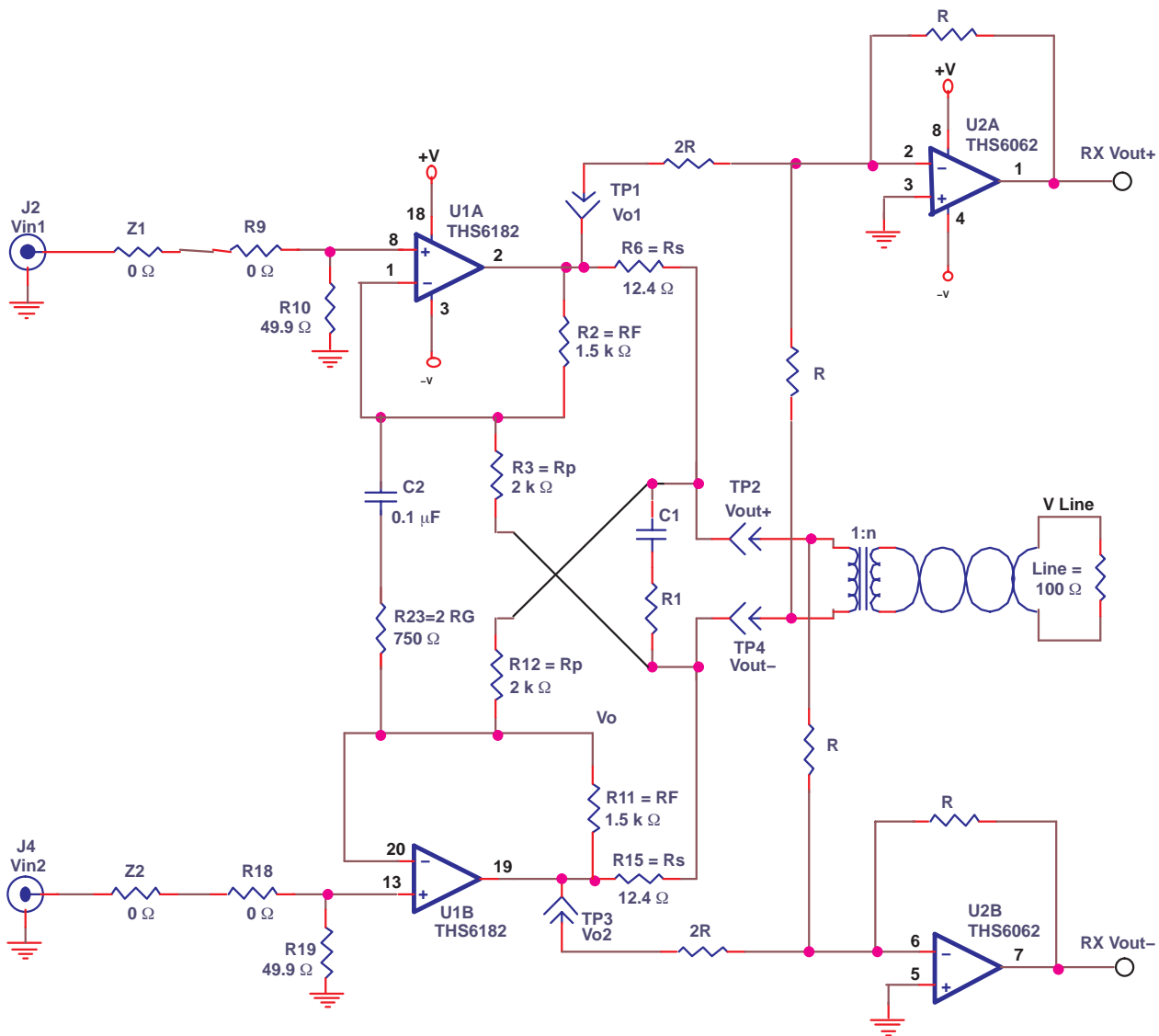
$$C_5 = \frac{1}{2 \times \pi \times R_{19} \times F_C} \quad (7)$$

where F_C = at least 10X the highest operating frequency (1.104 MHz is the highest ADSL operating frequency). 20X or even larger may be preferable.

3.3 Receive Path Implementation

Test points TP1 through TP4 are located on the EVM to facilitate the addition of the receive signal path to the signal chain as shown in Figure 3–3. When implementing the receive path, a *hybrid* must be used as ADSL is full duplex. The hybrid cancels out the TX signal and allows the RX signal from the line to come through. The THS6182DWEVM does not have receive or *hybrid* circuitry included. Texas Instruments assumes that the customer has a proprietary hybrid design, and therefore they would prefer to implement it. The user should know their nominal line impedance characteristics and thus should be able to match them better. Texas Instruments does have an EVM that contains a THS6062 ADSL receiver, and this EVM can be purchased separately to facilitate construction of a complete ADSL transmit/receive interface.

Figure 3–3. Implementation of the Receive Signal Path

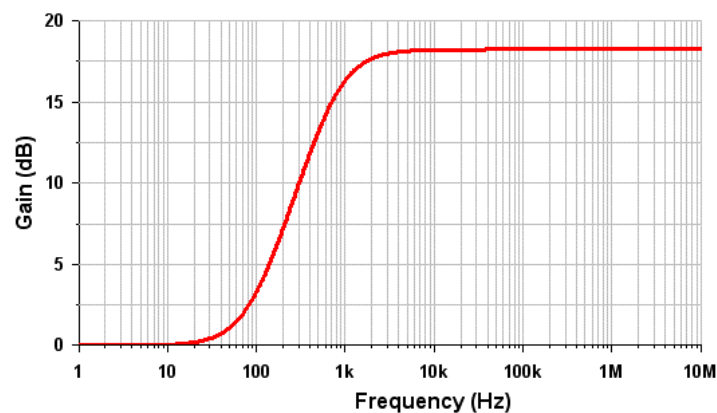
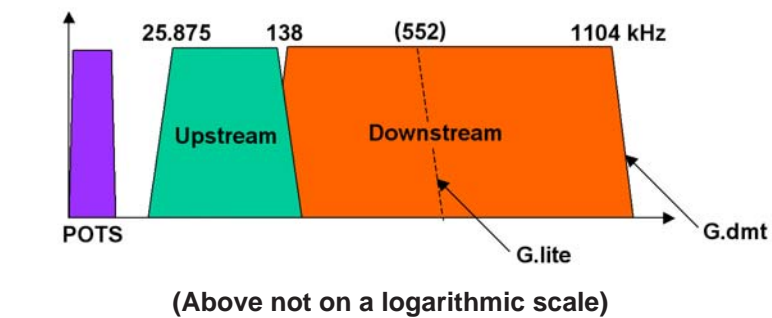


3.4 High-Pass Filter

Because ADSL CPE is designed to transmit from 25.875 kHz to 138 kHz, C2 and R23 can be used to implement an HPF function. These are selected to be 20X lower than 25 kHz (1.25 kHz). Some designs use a capacitor—some do not. This path allows for a common gain setting between the two channels. This helps (but does not assure) the signals are truly differential.

Figure 3–4 compares the frequency spectrum of ADSL to a simulation of the high-pass filter on the THS6182DWEVM.

Figure 3–4. ADSL Spectrum and High-Pass Filter Response



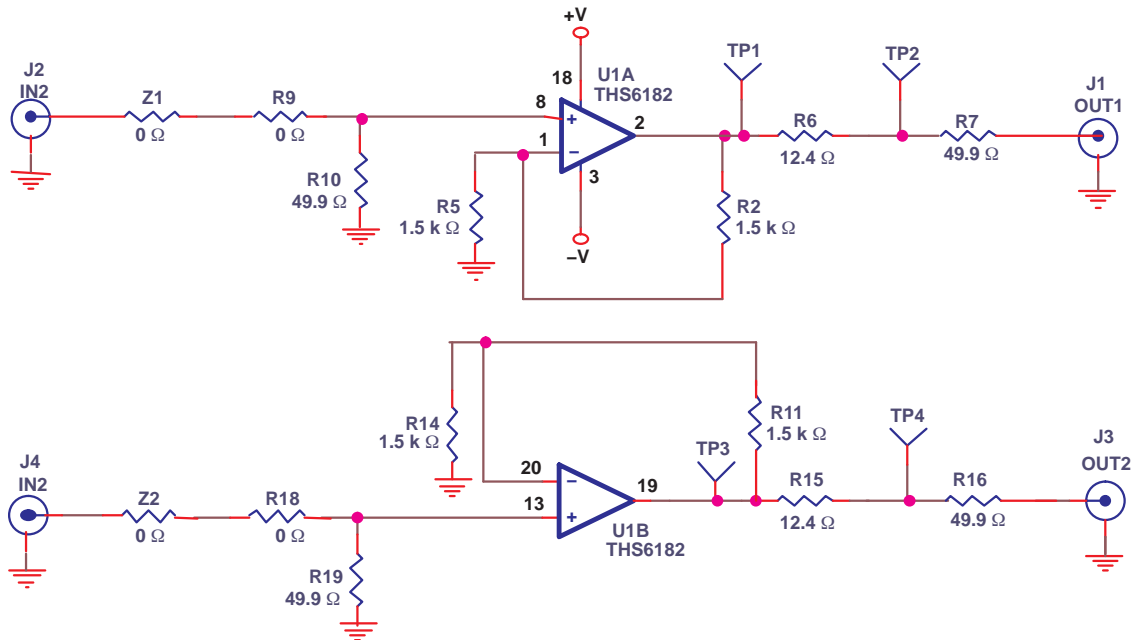
Note that the high-pass filter function is not a true high-pass filter. C2 in series with R23 creates a zero at about 10 Hz. As the frequency decreases from about 3 kHz to 10 Hz, the circuit changes from a gain stage into two unity gain buffers.

3.5 Single-Ended Gain Stages

Although ADSL is the obvious application for the THS6182DWEVM, it can also be configured for other applications. If the common gain resistor R8 is removed, there is an array of components that allow various dc and ac coupled gain stages to be constructed.

Referring to Figure 3–5, for example, two dc coupled gain stages are formed by removing R9 and adding R4 and R14. There are many other possibilities.

Figure 3–5. Single-Ended Amplifier Configuration



EVM Hardware Description

This chapter describes the EVM hardware. It includes the EVM parts list, and printed circuit-board layout.

Table 4–1. THS6182DWEVM Bill of Materials

Item	Description	SMD Size	Reference Designator	PCB QTY	Manufacturer's Part #	Distributor's Part #
1	Bead, ferrite, 3A, 80 Ω	1206	FB1, FB2	2	(Steward) HI1206N800R–00	(Digi–Key) 240–1010–1–ND
2	CAP, 22 μ F, tantalum, 25 V, 10%	D	C6, C7	2	(AVX) TAJD226K025R	(Garrett) TAJD226K025R
3	CAP, 0.1 μ F, ceramic, X7R, 50 V	0805	C3, C4, C8, C10	4	(AVX) 08055C104KAT2A	(Garrett) 08055C104KAT2A
4	Open	1206	C1	1		
5	CAP, 0.1 μ F, ceramic, X7R, 50 V	1206	C2	1	(AVX) 12065C104KAT2A	(Garrett) 12065C104KAT2A
6	CAP, 1.0 μ F, ceramic, Y5V, 50 V	1206	C9	1	(AVX) 12065G105ZAT2A	(Garrett) 12065G105ZAT2A
7	Open	0805	R3, R4, R5, R12, R13, R14	6		
8	Resistor, 0 Ω , 1/8 W	0805	R9, R18, R27	3	(Phycomp) 9C08052A0R00JLHFT	(Garrett) 9C08052A0R00JLHFT
9	Resistor, 100 Ω , 1/8 W, 1%	0805	R20, R21	2	(Phycomp) 9C08052A1000FKHFT	(Garrett) 9C08052A1000FKHFT
10	Resistor, 750 Ω , 1/8 W, 1%	0805	R23	1	(Phycomp) 9C08052A7500FKHFT	(Garrett) 9C08052A7500FKHFT
11	Resistor, 1.5 k Ω , 1/8 W, 1%	0805	R2, R11	2	(Phycomp) 9C08052A1501FKHFT	(Garrett) 9C08052A1501FKHFT
12	Resistor, 10 k Ω , 1/8 W, 1%	0805	R24, R25, R28, R29	4	(Phycomp) 9C08052A1002FKHFT	(Garrett) 9C08052A1002FKHFT
13	Open	1206	R1, R8, R17, Z3	4		
14	Resistor, 0 Ω , 1/4 W	1206	Z1, Z2,	2	(Phycomp) 9C12063A0R00JLHFT	(Garrett) 9C12063A0R00JLHFT
15	Resistor, 12.4 Ω , 1/4 W, 1%	1206	R6, R15	2	(Phycomp) 9C12063A12R4FKRFT	(Garrett) 9C12063A12R4FKRFT
16	Resistor, 49.9 Ω , 1/4 W, 1%	1206	R7, R10, R16, R19	4	(Phycomp) 9C12063A49R9FKRFT	(Garrett) 9C12063A49R9FKRFT

Table 4–1. THS6182DWEVM Bill of Material (Continued)

Item	Description	SMD Size	Reference Designator	PCB QTY	Manufacturer's Part #	Distributor's Part #
17	Connector, BNC, vertical, PCB		J1, J2, J3, J4	4	(Amphenol) 31–5329	(Newark) 89F2885
18	Jack, banana, 0.25" diameter hole		J5, J6, J7	3	(HH Smith) 101	(Newark) 35F865
19	Header, 0.1" centers, 0.025" square pins	2 POS.	JP1, JP2	2	(Sullins) PZC36SAAN	(Digi-Key) S1011–36–ND
20	Shunts		JP1, JP2	2	(Sullins) SSC02SYAN	(Digi-Key) S9002–ND
21	Test point, black		TP5, TP6, TP7	3	(Keystone) 5001	(Digi-Key) 5001K–ND
22	Test points, red		TP1, TP2, TP3, TP4, TP8, TP9, TP10	7	(Keystone) 5000	(Digi-Key) 5000K–ND
23	Standoff, 4–40 hex, 0.625" length			4	(Keystone) 1804	(Allied) 839–2089
24	Screw, Phillips, 4–40, .250"			4	SHR–0440–016–SN	
25	IC, THS6182	U1		1	(TI) THS6182DW	
26	Printed-circuit board			1	(TI) EDGE #6442073	

Figure 4–1. Top Layer 1 (Signals for THS6182DWEVM)

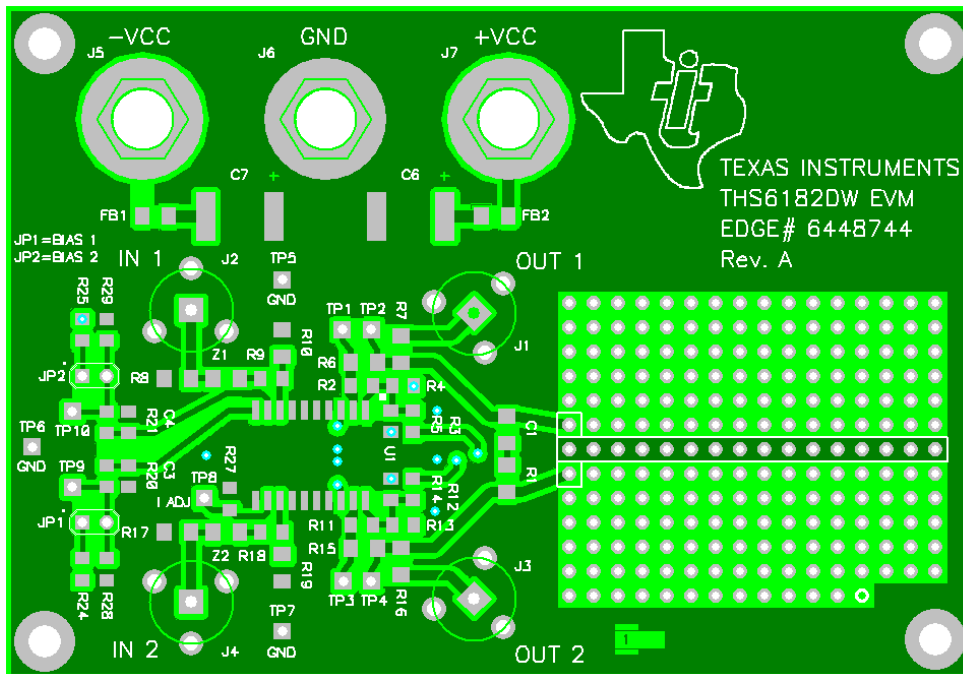


Figure 4–2. Internal Plane (Layer 2) (Ground 1 Plane)

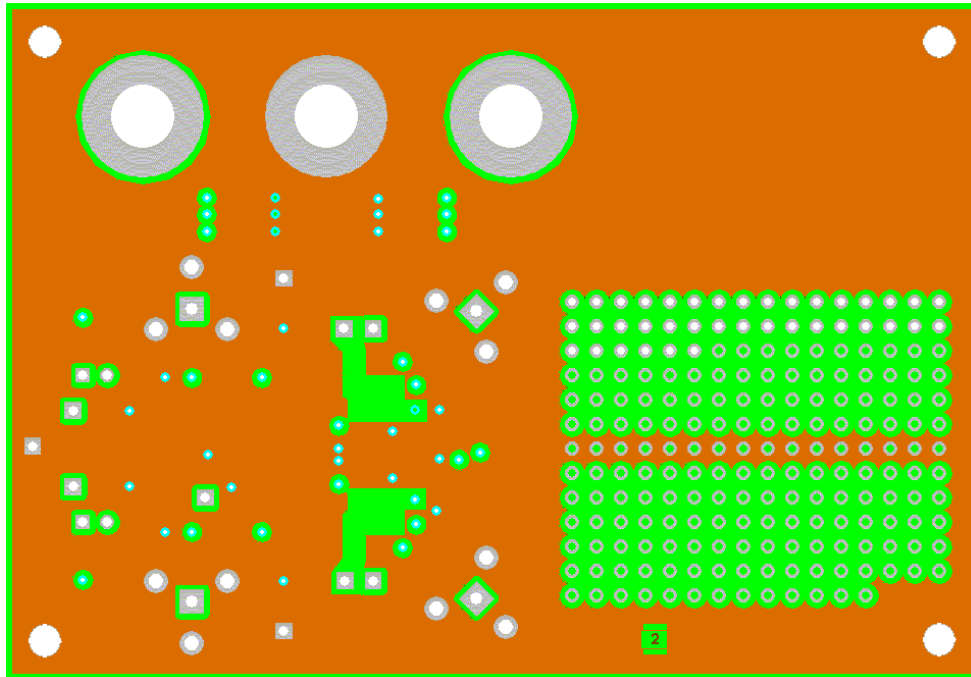


Figure 4–3. Internal Plane (Layer 3) (Power Plane)

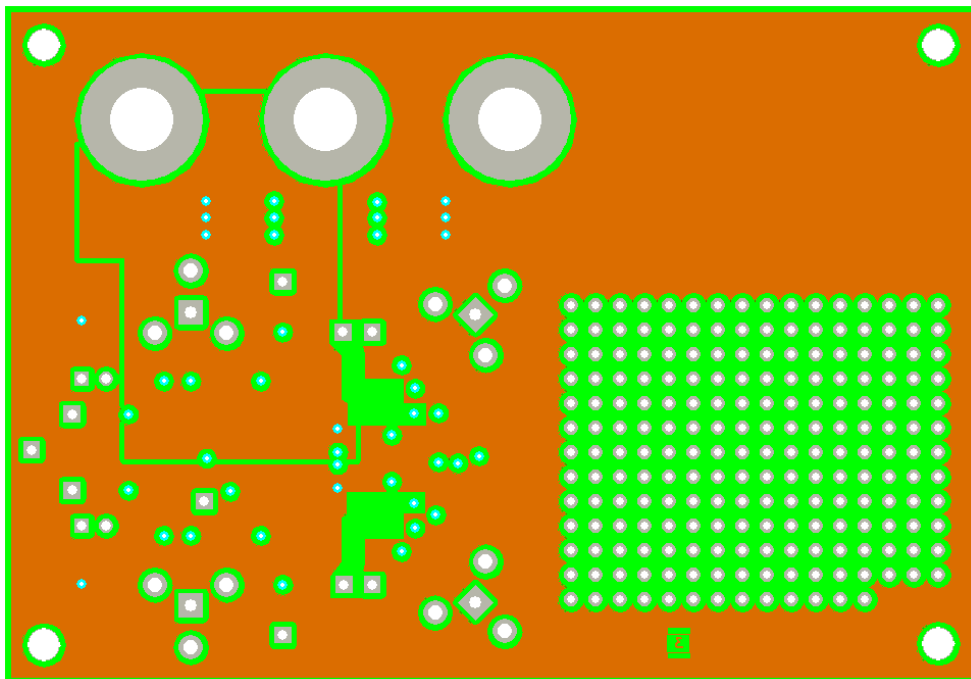


Figure 4–4. Bottom (Layer 4) (Ground and Signal)

